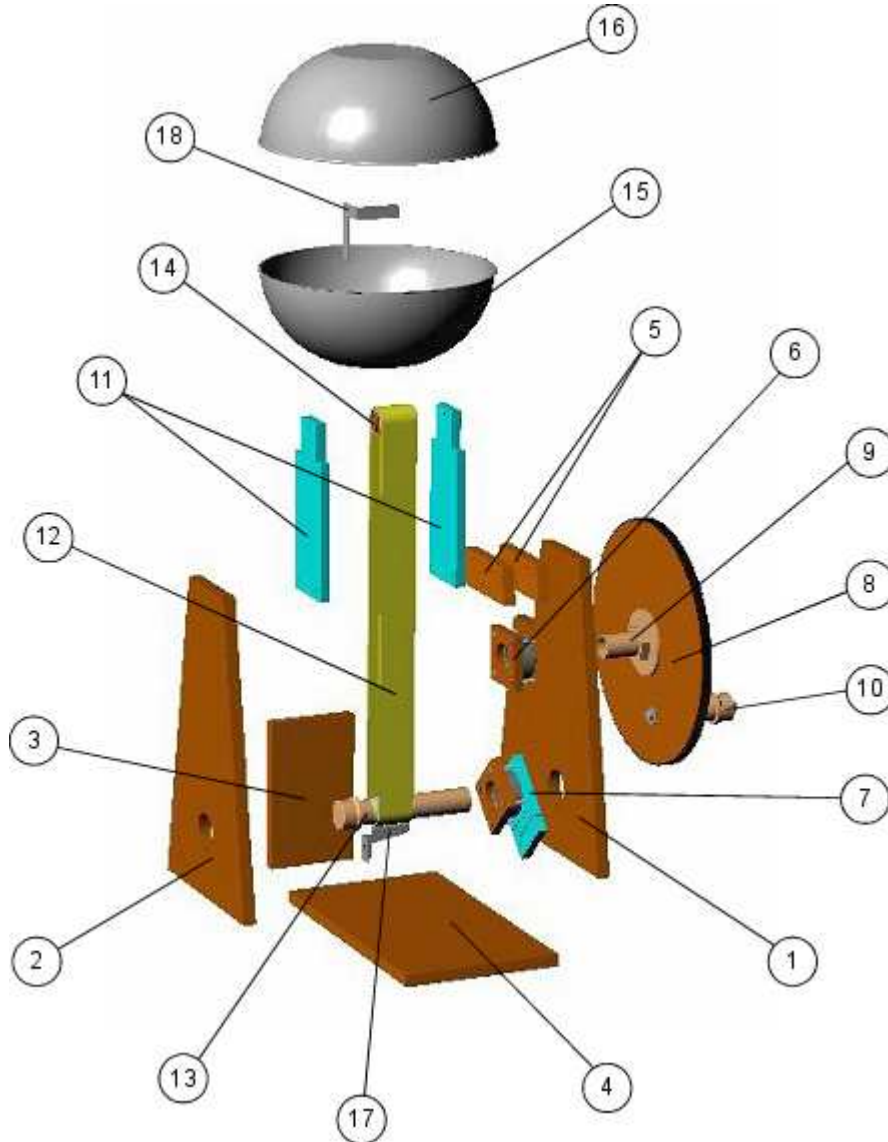


EG 1507 - Hand Powered Van de Graaff Electrostatic Machine

Main Parts



1. Front support
2. Back support
3. Middle support
4. Base

The parts above forms the mechanical structure that supports all the machine parts.